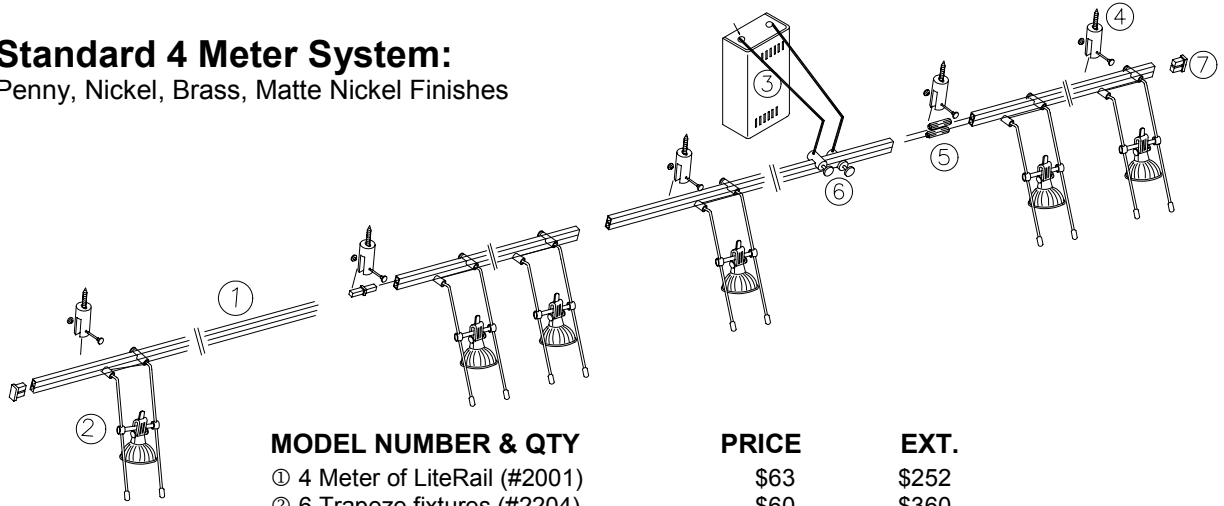


Standard 4 Meter System: Penny, Nickel, Brass, Matte Nickel Finishes



MODEL NUMBER & QTY	PRICE	EXT.
① 4 Meter of LiteRail (#2001)	\$63	\$252
② 6 Trapeze fixtures (#2204)	\$60	\$360
④ 5 Ceiling supports (#2101)	\$9	\$45
③ 1 250W transformer (ET250)	\$205	\$205
⑤ 3 Straight Connects (#2106)	\$12/pr	\$36
⑥ 1 Center Feed (#2105)	\$21/pr	\$21
⑦ 1 End Caps (#2111)	\$5/pr	\$5
6 MR16 bulbs	\$8	\$48

Total: \$972

Layout Options: If you want your design to look like this, you will need:

L Connector #2108 add \$8	T Connector #2107 add \$17	X Connector #2109 add \$22	"S" Curve #2020 (\$72/meter)	2', 4', 6' or 8' diameter #2012, 2014, 2016 & 2018 (\$72/meter)

Upgrades: Mounting Options

Wall Mount

#2127 Metal Round Wall Support. Add \$115

#2103 Rectangular Wall Support. Save \$5

Ceiling Mount

Ceiling Support w/ cable mount #2101 w/ #2102. Add \$70

Metal Hanging Ceiling Support #2121 with #2116 requires #2122. Add \$310

Metal Ceiling Support #2115. Add \$165

Upgrades: Fixture Options

Swing #2202. Add \$20 ea.

Galleria #2206. Add \$28 ea.

Coaxial Pendant #1030 w/ Starlight Cone #H2843. (#2113 required) Add \$105 ea.

Radar II #1012 with Glass Beveled Cone #6103. (#2113 required) Add \$108 ea.

Saturn II #1002 with Super Hood #6522. (#2133 required) Add \$80 ea.

Pricing & specifications subject to change without notice.